



Please help to find info about enries marked as *No info*

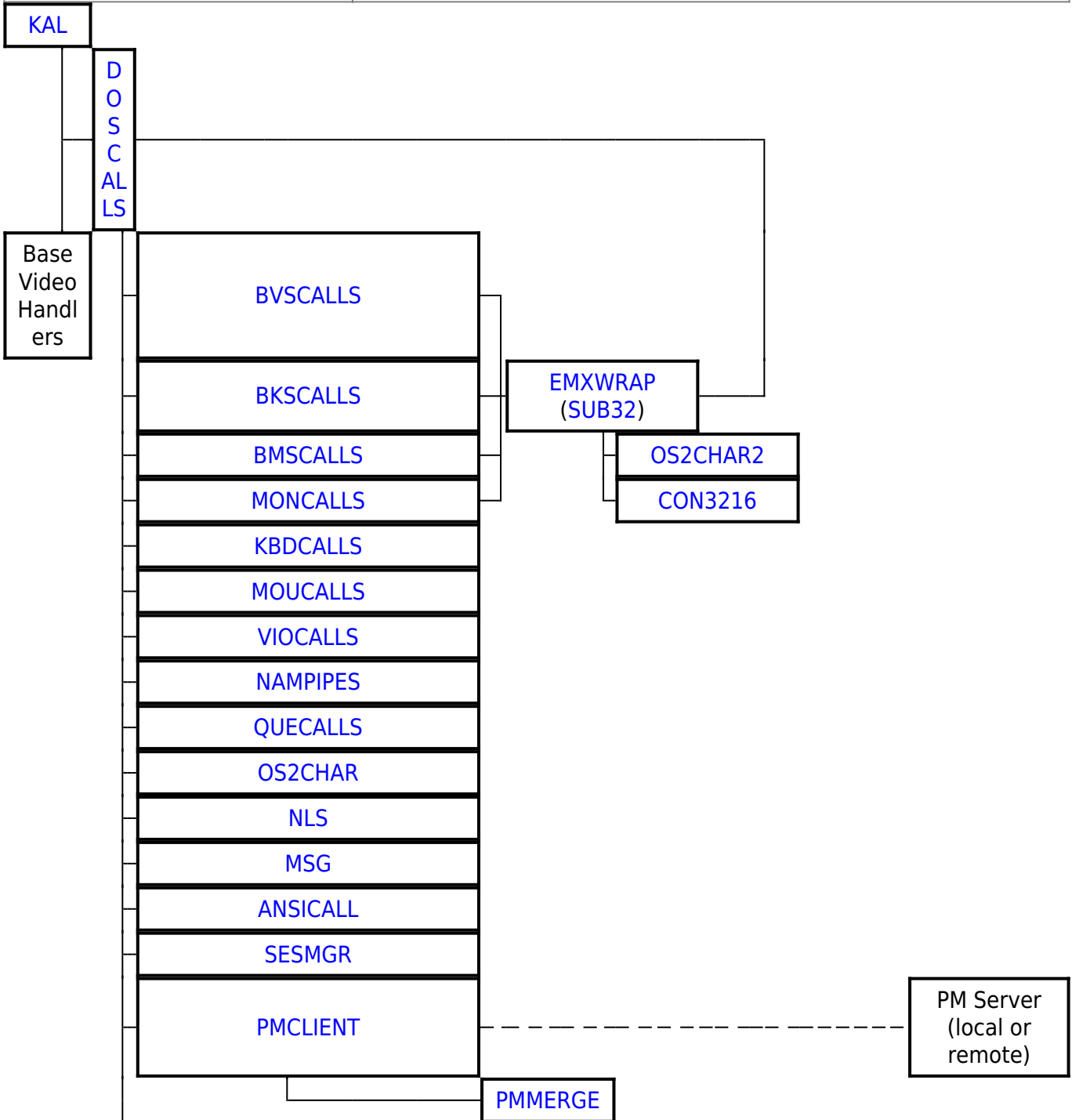
HELMGR

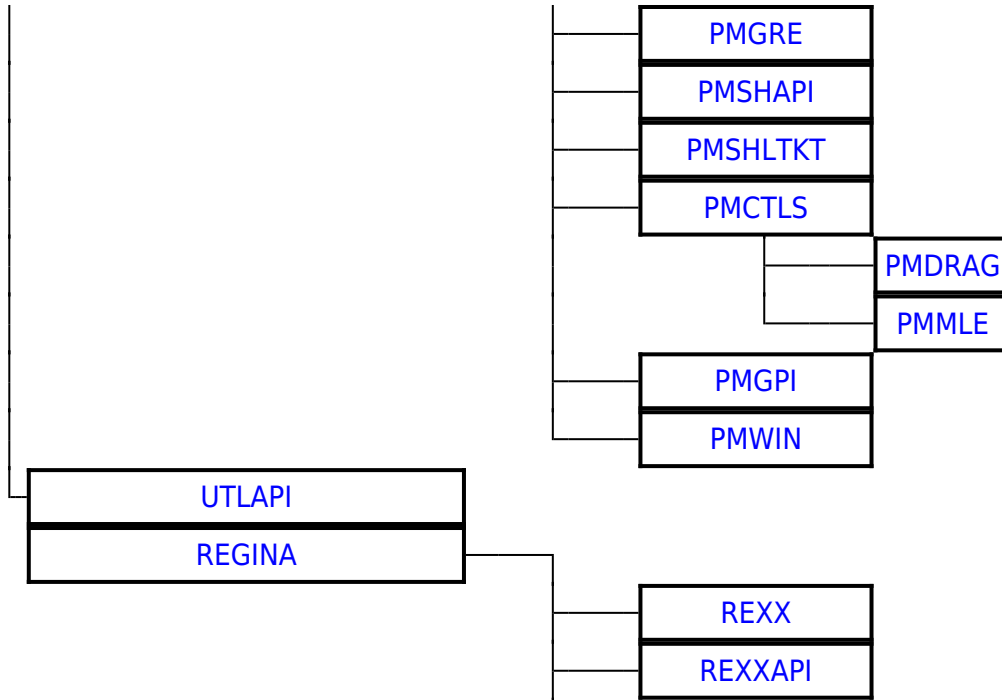
| Ordinal | Name | Desc | Status |
|---------|--------------------------|------|--------|
| 1 | WinCreateHelpInstance | | |
| 2 | WinDestroyHelpInstance | | |
| 3 | WinQueryHelpInstance | | |
| 4 | WinAssociateHelpInstance | | |
| 5 | WinLoadHelpTable | | |
| 6 | WinCreateHelpTable | | |
| 7 | HMWindowProc | | |
| 8 | HelpProcessor | | |
| 9 | CoverPageFrameWindowProc | | |
| 10 | CoverPageWindowProc | | |
| 11 | PageFrameWindowProc | | |
| 12 | PageWindowProc | | |
| 13 | FootnoteFrameWindowProc | | |
| 14 | FootnoteWindowProc | | |
| 15 | SearchDlgProc | | |
| 16 | PrtPrintDlgProc | | |
| 17 | ListWindowProc | | |
| 18 | ListFrameWindowProc | | |
| 19 | IndexWindowProc | | |
| 20 | IndexFrameWindowProc | | |
| 21 | TocWindowProc | | |
| 22 | TocFrameWindowProc | | |
| 23 | BmBookMarkDlgProc | | |
| 24 | HistoryFrameWindowProc | | |
| 25 | HistoryWindowProc | | |
| 26 | WinCreateBookInstance | | |
| 27 | BmCuaLogoDlgProc | | |
| 28 | IoLoadAllToc | | |
| 29 | IoLoadAllIndex | | |
| 30 | IoFreeAllToc | | |
| 31 | IoFreeAllIndex | | |
| 32 | IoFreeIoInfolist | | |
| 33 | FindWildPattern | | |
| 34 | FindPattern | | |
| 35 | FindTokenPattern | | |
| 36 | GetStrToken | | |
| 37 | HmSetHelpDatabase | | |
| 38 | MscCleanup | | |
| 39 | HpfsSplitPath | | |

| Ordinal | Name | Desc | Status |
|---------|----------------------------|------|--------|
| 40 | ChopDot | | |
| 41 | MakeHpfsFileList | | |
| 42 | GoodList | | |
| 43 | IsValidHpfsName | | |
| 44 | HpfsMakeFullPathname | | |
| 45 | MscAppendInf | | |
| 46 | MscStricmp | | |
| 47 | MscStrnicmp | | |
| 48 | LibraryFrameWindowProc | | |
| 49 | LibraryWindowProc | | |
| 50 | WinxxCreateHelpInstance | | |
| 51 | Win32CreateHelpInstance | | |
| 52 | Win32DestroyHelpInstance | | |
| 53 | Win32QueryHelpInstance | | |
| 54 | Win32AssociateHelpInstance | | |
| 55 | Win32LoadHelpTable | | |
| 56 | Win32CreateHelpTable | | |
| 57 | AcvpWindowProc | | |
| 58 | AcvpFrameWindowProc | | |
| 74 | DdfInitialize | | |
| 75 | DdfPara | | |
| 76 | DdfSetFormat | | |
| 77 | DdfSetTextAlign | | |
| 78 | DdfSetColor | | |
| 79 | DdfInform | | |
| 80 | DdfSetFontStyle | | |
| 81 | DdfHyperText | | |
| 82 | DdfBeginList | | |
| 83 | DdfListItem | | |
| 84 | DdfEndList | | |
| 85 | DdfText | | |
| 86 | DdfMetafile | | |
| 87 | DdfSetFont | | |
| 88 | DdfBitmap | | |
| 89 | SearchMinindex | | |
| 90 | DbmStrtok2 | | |

| OS/2 DLLs | |
|---------------------------|--|
| Base API | DOSCALLS EMXWRAP SUB32 ANSICALL NLS MSG MONCALLS KBDSCALLS MOUCALLS VIOCALLS SESMGR BKSCALLS BMSCALLS BVSCALLS NAMPIPES QUECALLS OS2CHAR |
| Bidirectional NLS | BDCALLS BDCALLS32 BDIME BDBVH BDVIEW BDWPCLS BIDIPM PMBIDI |
| Unicode API | UCONV UNIKBD LIBUNI |
| BVH (Base Video Handlers) | BVHINIT BVHMPA BVHVGGA BVHVSVA BVHWNDW |
| GRADD subsystem | VMAN SOFTDRAW GRE2VMAN GENGRADD |

| OS/2 DLLs | |
|---|--|
| IPF (Information Presentation facility) | HELPMGR HPMGRMRI MINXOBJ IBMHMGR NEWVIEW MINXMRI ERRTXT |
| REXX | REXX REXXAPI REXXUTIL REGINA |
| The core PM DLL's | PMMERGE PMMRGRES PMSHAPI PMSHLTKT PMGRE PMGPI PMDRAG PMCTLS PMMLE PMSPL PMVIOP PMWIN |
| Open32 | PMWINX MIRRORS REGISTRY |
| Intelligent Font Interface drivers | PMATM TRUETYPE PMUNIF FREETYPE PMPRE |
| Data Exchange | PMCLIP PMDDE PMDDEML |
| VDM PM interface | PMVDMH PMVDMP SEAMLESS SHIELD |
| WPS | PMWP PMWPMRU PMVDDROP |
| Miscellaneous | PMPIC PMTKT MVDM |
| SOM API | SOM SOMC |





2016/07/25 02:16 · prokushev · 0 Comments

From:

<http://www.osfree.org/doku/> - **osFree wiki**

Permanent link:

<http://www.osfree.org/doku/doku.php?id=en:docs:os2:modules:helpmgr>

Last update: **2016/08/04 06:27**

